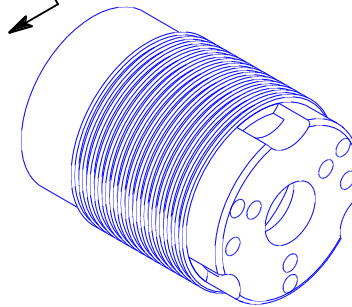
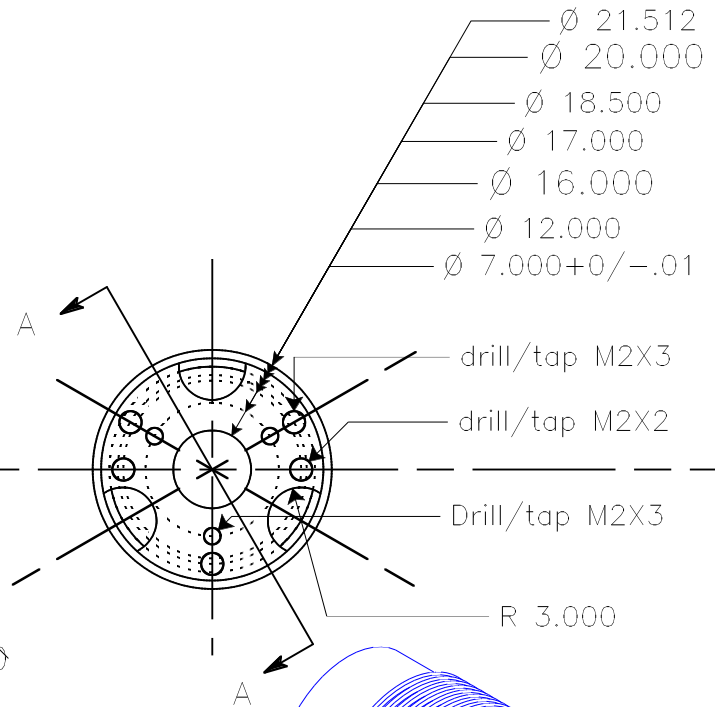
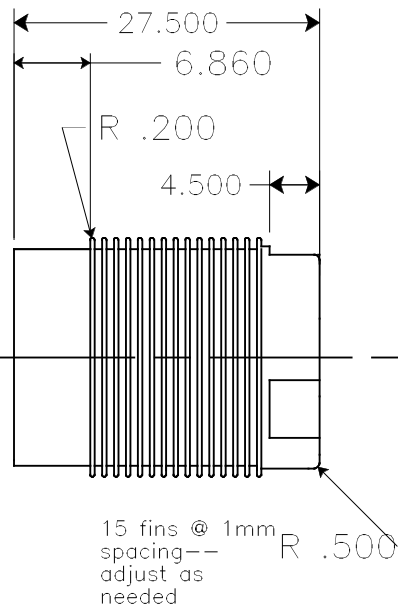


Side view



- 1)Material: 6061-T6 Al
- 2)Finish : as machined
- 3)Remove burrs
- 4) +/- .05mm on all dimensions except as noted
- 5) BLACK FINISH

					Name	Date	Title 0705 case Rev3	
				Created By	SWN	3/22/11		
				Checked By				
				Scale			Drawing Number	
				Neutronics INC				
No	Change	Date	Init					