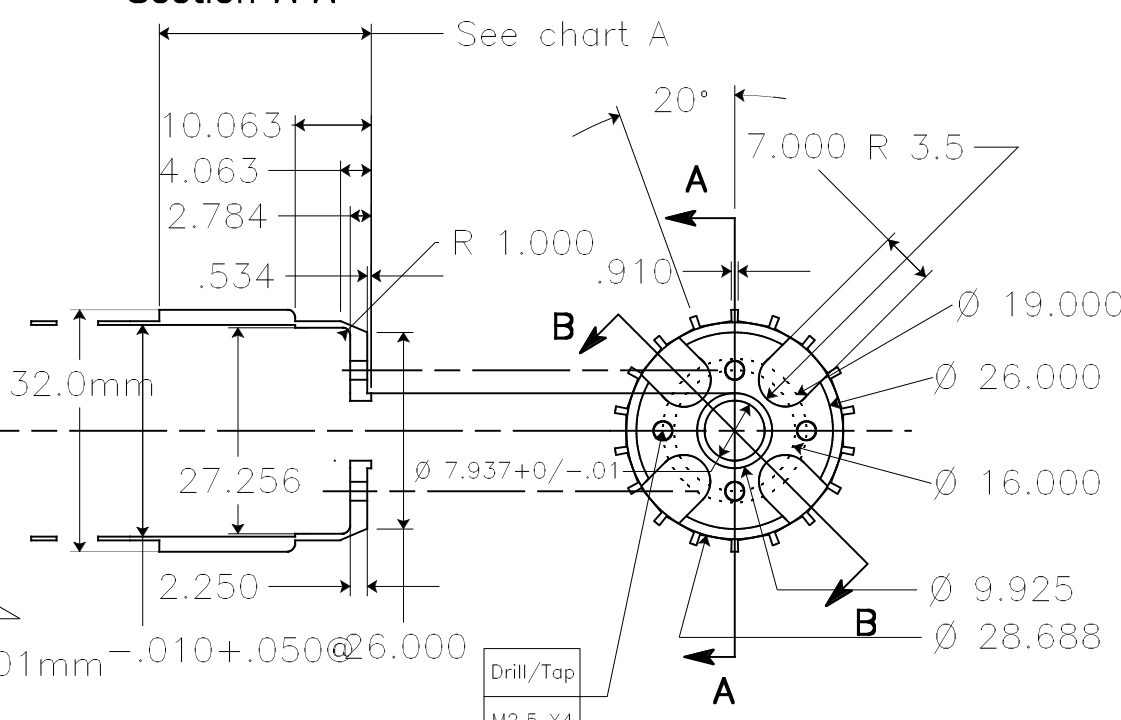
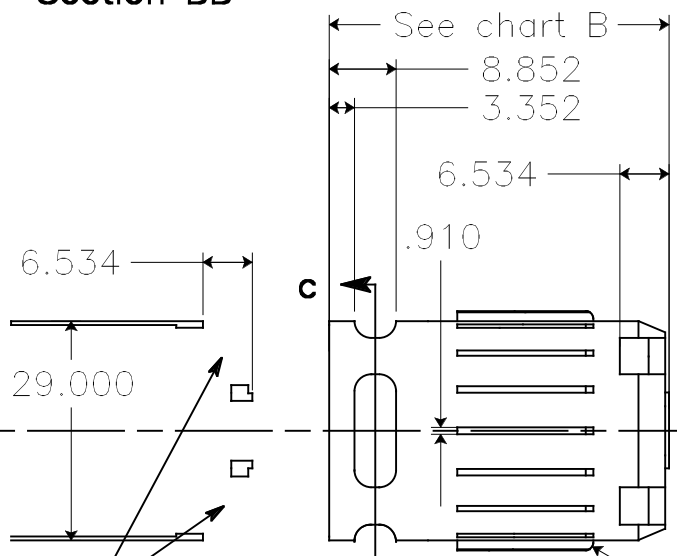


**Section BB**

**Side View**

**Section A A**



Note that this is open!

Note that this is open!

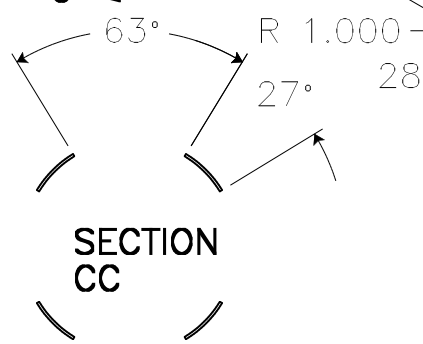


Chart A  
1107= 28.034mm  
1112= 40.5mm

Chart B  
1107= 44.958mm  
1112= 57.5mm

- 1)Material: 6061-T6 Al
- 2)Finish : as machined
- 3)Remove burrs
- 4) +/- .05mm on all dimensions except as noted
- 5) BLACK FINISH
- 6) dims in inches except as noted

					<b>Name</b>	<b>Date</b>	<b>Title</b> 1107 Heli case Rev3
				<b>Created By</b>	SWN	6/25/07	
				<b>Checked By</b>			
				<b>Scale</b>			<b>Drawing Number</b>
				<b>Neutronics INC</b>			
<b>No</b>	<b>Change</b>	<b>Date</b>	<b>Init</b>				