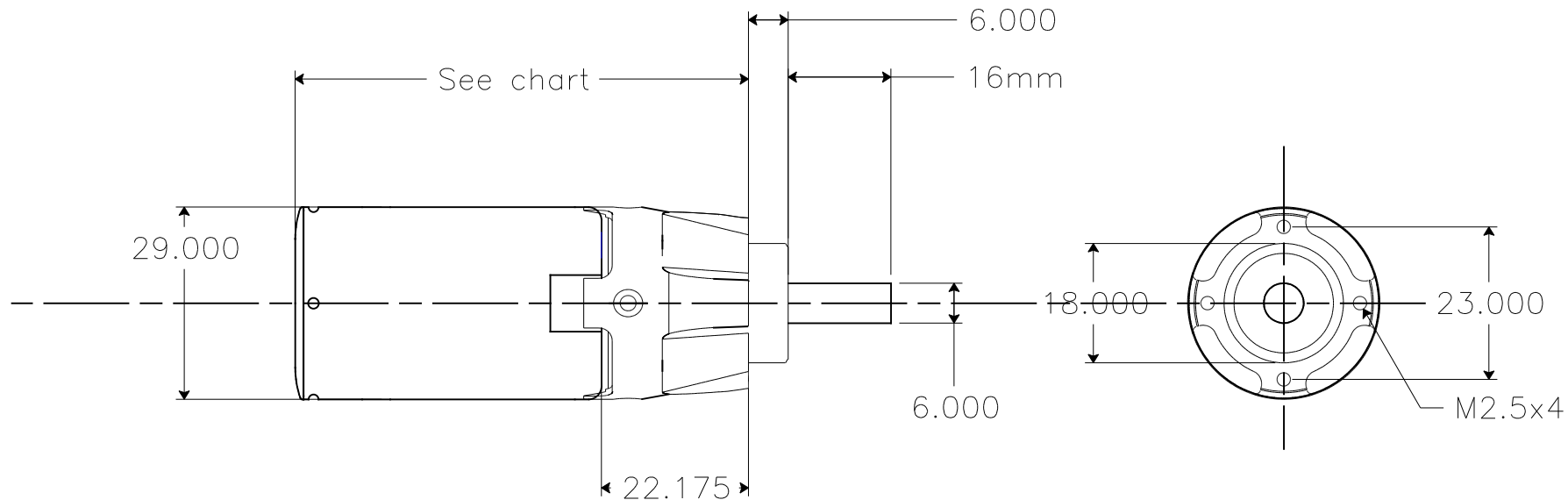
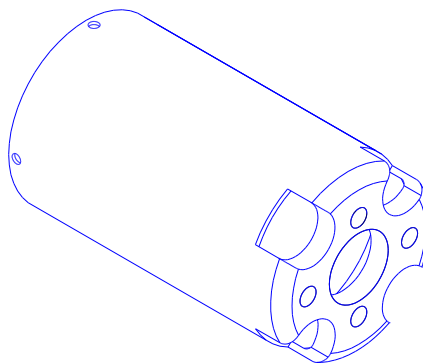


### Section A A



- 1)Material: 6061-T6 Al
- 2)Finish : as machined
- 3)Remove burrs
- 4) +/- .05mm on all dimensions except as noted
- 5) BLACK FINISH
- 6) dims in mm



Chart—add 2mm for 5.2  
 1105= 56mm  
 1110= 68mm  
 1112= 73mm  
 1115= 80mm

	Changed bearing holes to 11mm				<b>Name</b>	<b>Date</b>	<b>Title</b> 11XX/P29 gear		
	updated lengths				<b>Created By</b>	SWN			4/2/14
					<b>Checked By</b>				
					<b>Scale</b>				
					<b>Neutronics INC</b>		<b>Drawing Number</b>	<b>Issue</b>	
<b>No</b>	<b>Change</b>	<b>Date</b>	<b>Init</b>						