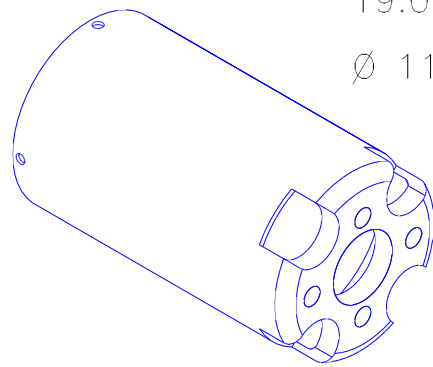
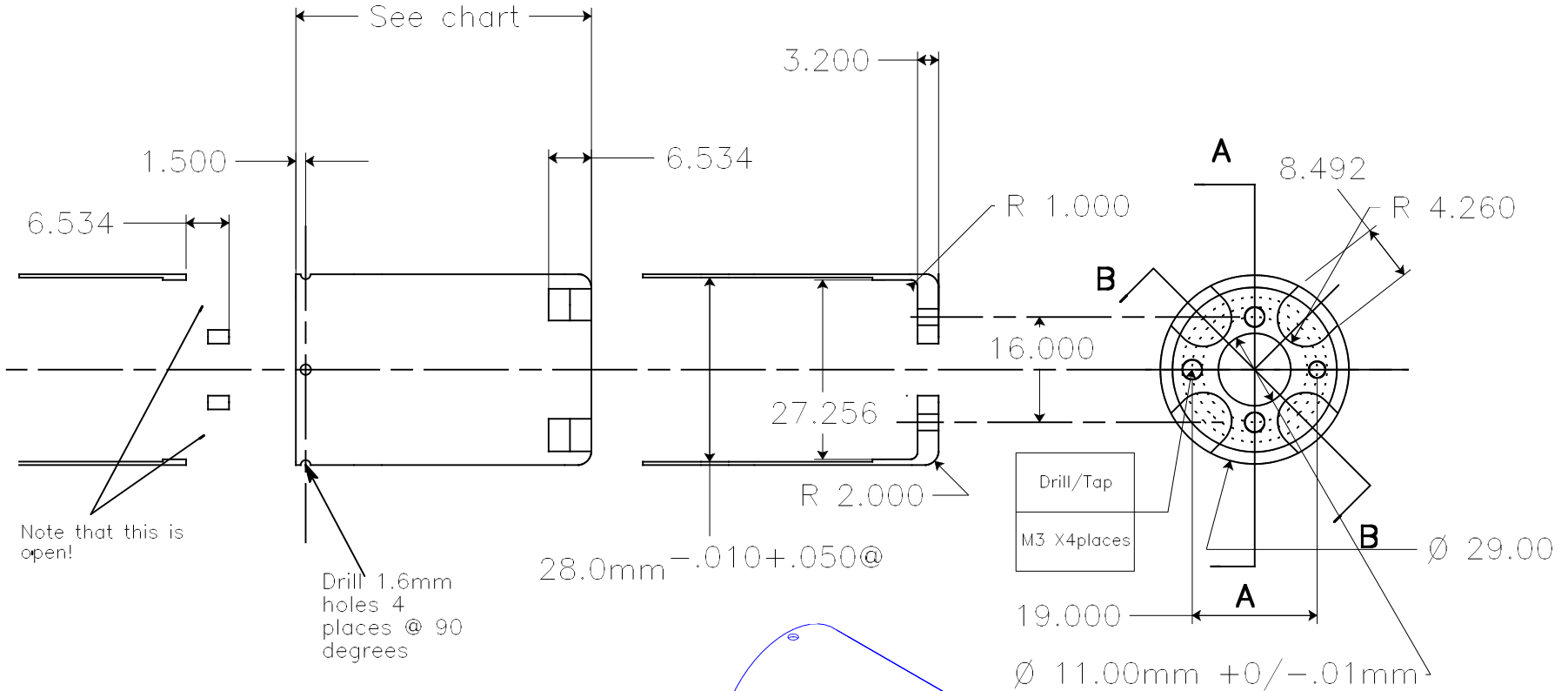


Section BB

Side View

Section A A



- 1)Material: 6061-T6 Al
- 2)Finish : as machined
- 3)Remove burrs
- 4) +/- .05mm on all dimensions except as noted
- 5) BLACK FINISH
- 6) dims in mm

Chart
 1105= 34mm
 1110= 46mm
 1112= 51mm
 1115= 58mm

	Changed bearing holes to 11mm			Created By	Name	Date	Title 11XX case Rev5	
	updated lengths			Checked By	SWN	1/16/12		
				Scale				
				Neutronics INC			Drawing Number	Issue
No	Change	Date	Init					