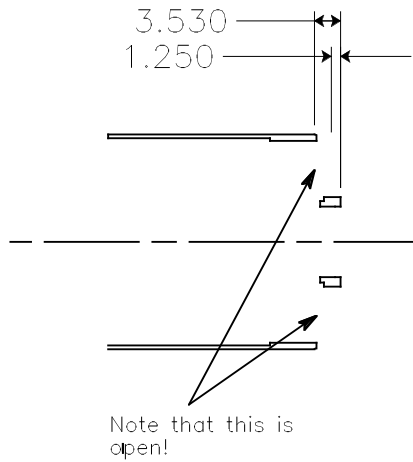
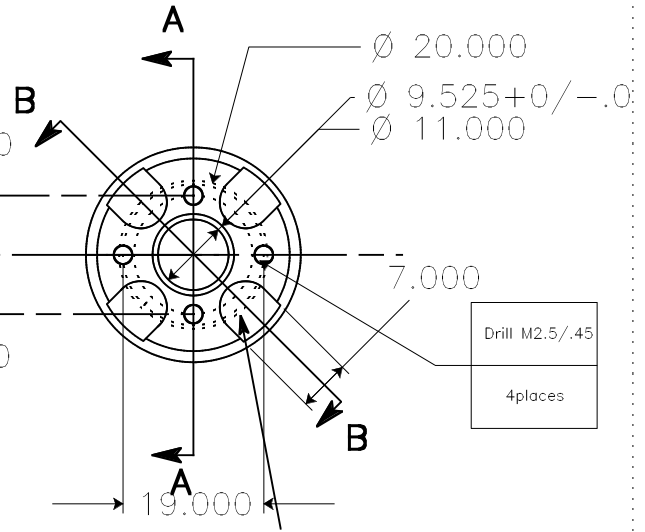
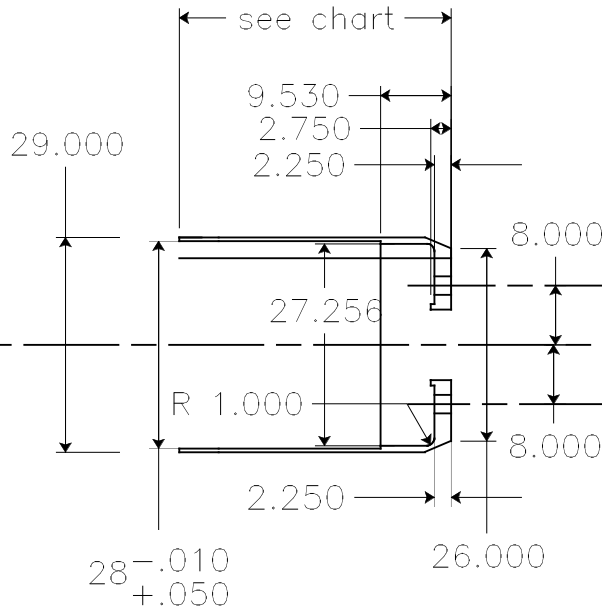


Section BB



Section A A



Drill M2.5/.45
4places

Note that this is open!

Length chart
 1105=31.75mm
 1107=38.125
 1110=44.5
 1112=50.875
 1115=57.25

- 1)Material: 6061-T6 Al
- 2)Finish : as machined
- 3)Remove burrs
- 4) +/- .05mm on all dimensions except as noted
- 5) BLACK FINISH

	Corrected bearing dim				Name	Date	Title	
				Created By	SWN	7/21/08	11xx cases	
				Checked By			Rev6	
				Scale			Drawing Number	Issue
				Neutronics INC				
No	Change	Date	Init					