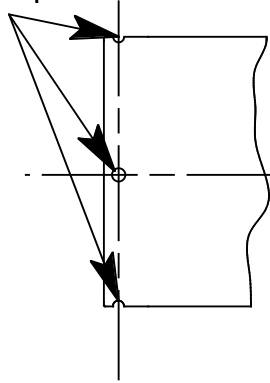
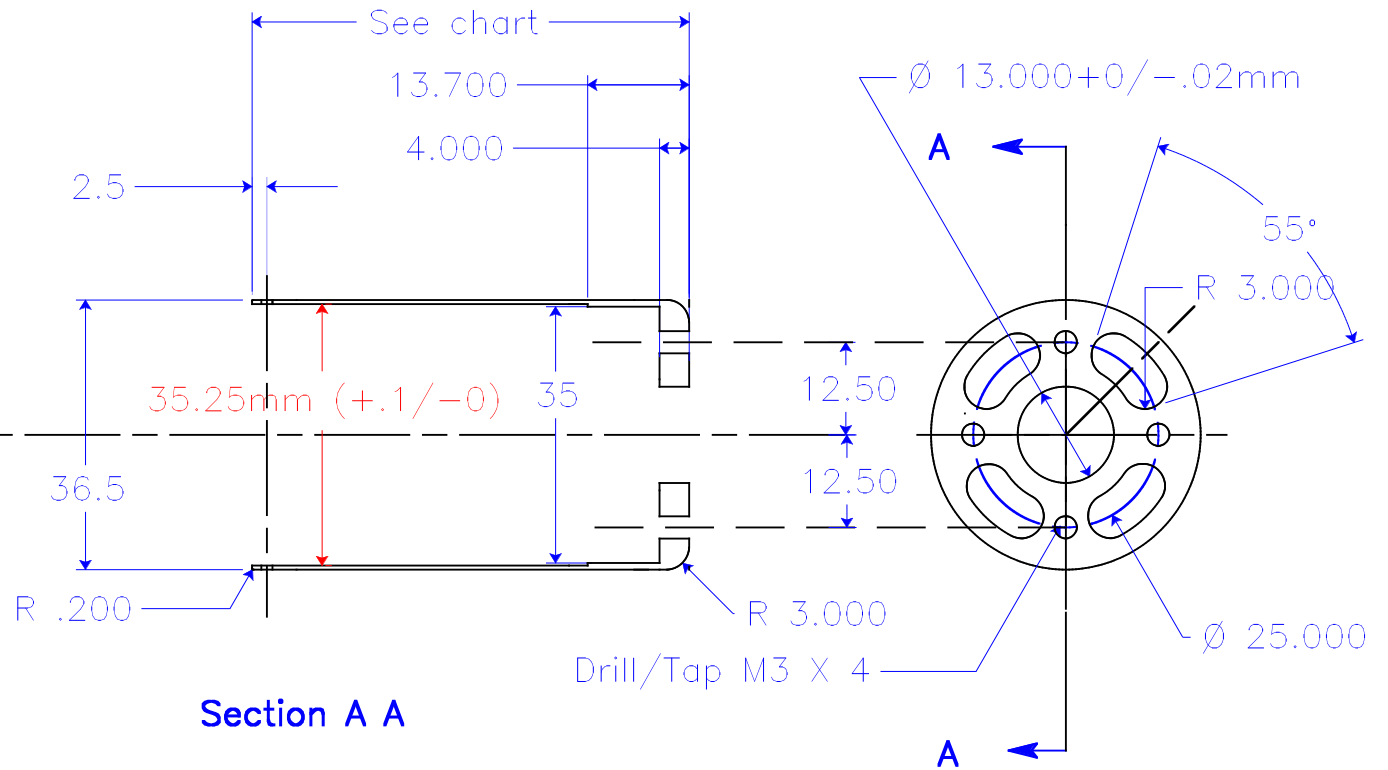


Length chart:
 1406=46mm
 1409=53.5mm
 1412=61mm
 1415=68.6mm

1.8mm holes 4 places---
 90 degrees apart



End detail



Section A A

- 1)Material: 6061-T6 Al
- 2)Finish : as machined
- 3)Remove burrs
- 4) +/- .05mm on all dimensions except as noted
- 5) anodize black

					Name	Date	Title	
				Created By	SWN	6/15/	14XX-case	
				Checked By		11	Rev10	
				Scale			Drawing Number	
				Neutronics INC			Issue	
No	Change	Date	Init					