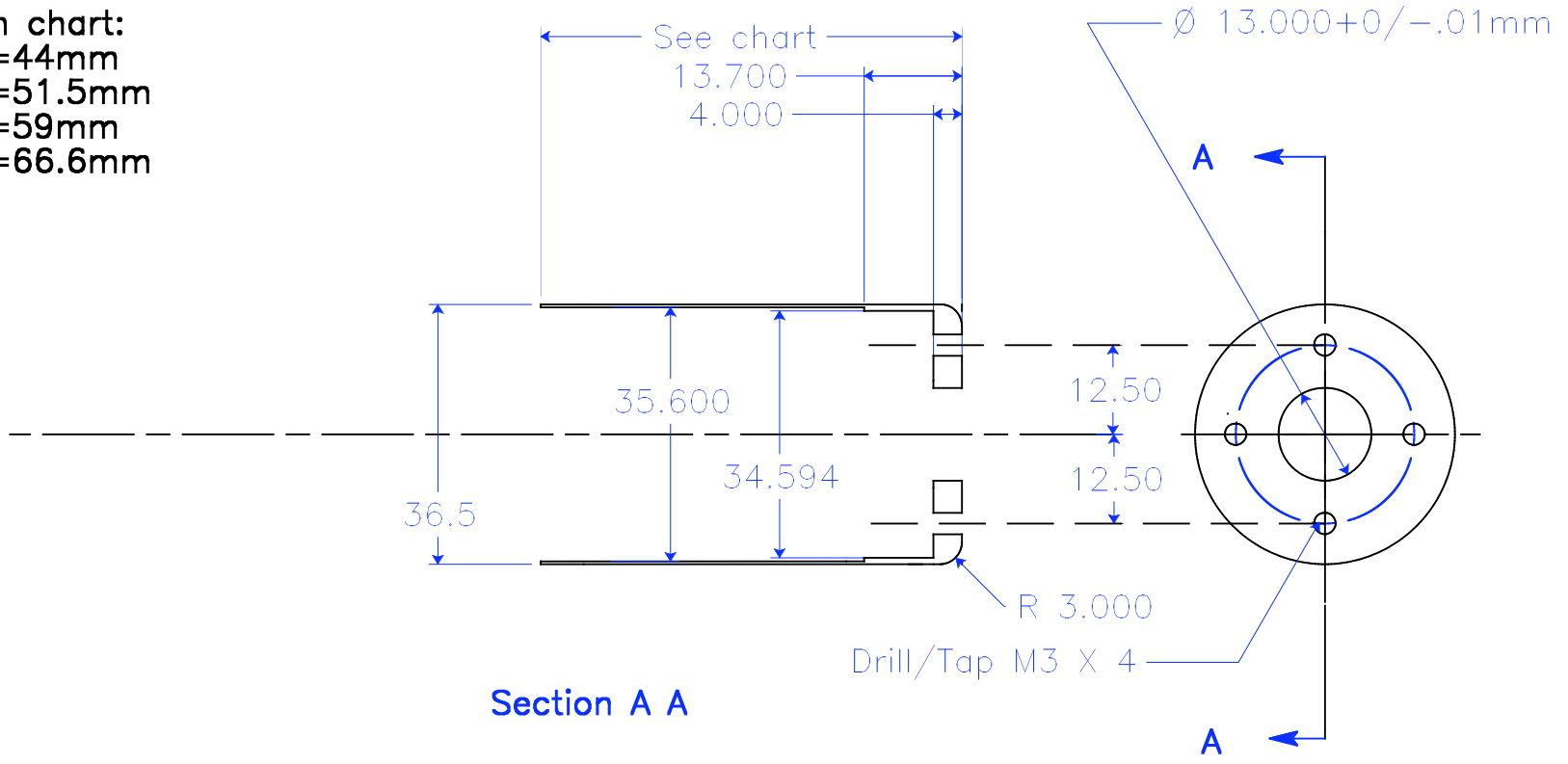


Length chart:
 1406=44mm
 1409=51.5mm
 1412=59mm
 1415=66.6mm



Section A A

- 1)Material: 6061-T6 Al
- 2)Finish : as machined
- 3)Remove burrs
- 4) +/- .05mm on all dimensions except as noted
- 5) anodize black

					Name	Date	Title	
				Created By	SWN	1/14/	14XX-case-car version	
				Checked By		09	Rev7	
				Scale			Drawing Number	Issue
				Neutronics INC				
No	Change	Date	Init					